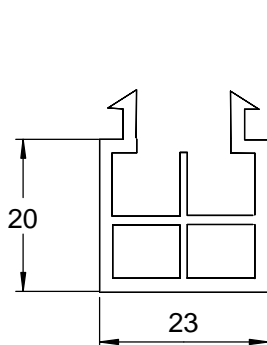


# SOHLBANKPROFILE

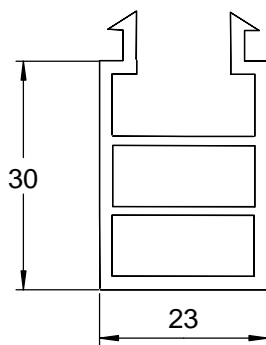
**SB 2320**

System Trocal



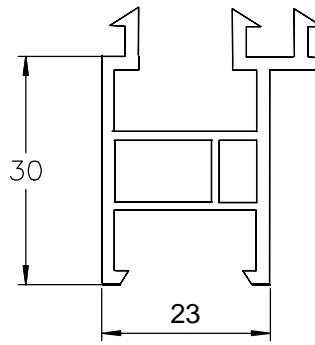
**SB 2330**

System Trocal



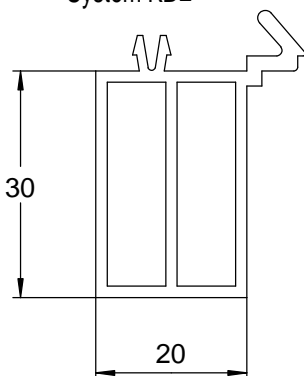
**SB 2330/3**

System Trocal



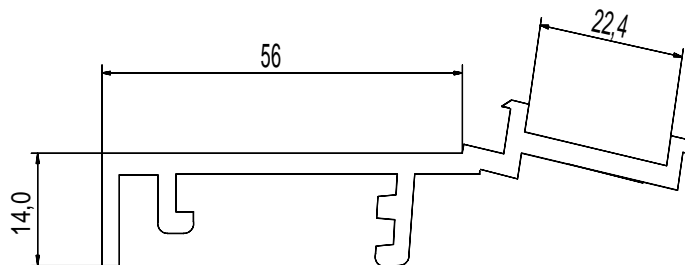
**SB 2030K**

System KBE



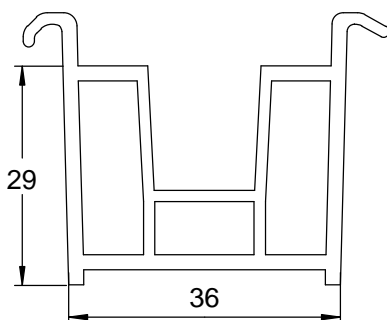
**FS 9025**

Fensterbankanschluß Weru



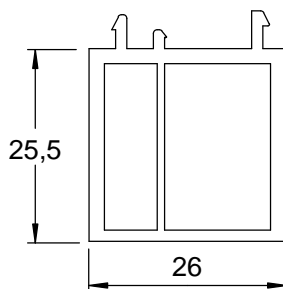
**SB 3629B-2**

System Brüggmann



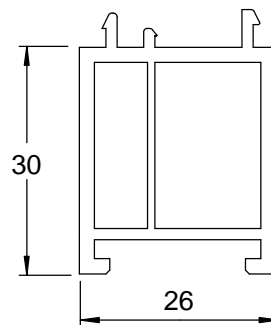
**SB 2625B**

System Brüggmann



**SB 2630B**

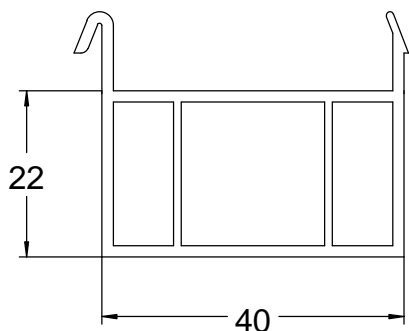
System Brüggmann



# SOHLBANKPROFILE

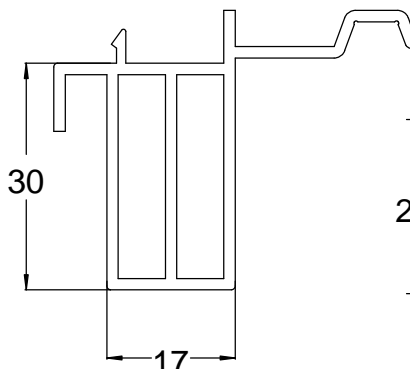
**SB 4022T**

System Thyssen Prestige



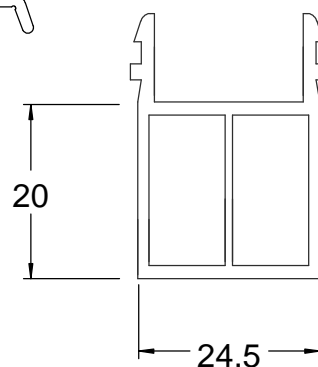
**SB 1730-TE**

System Thyssen Elite



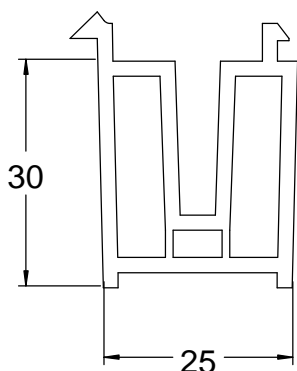
**SB 2420TT**

Transportschutz System  
 Thyssen und Tryba



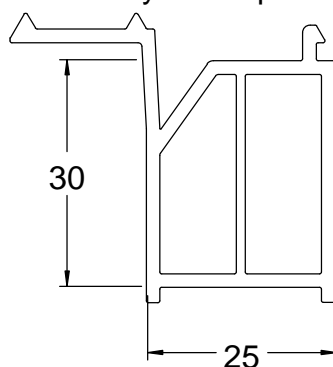
**SB 2530VS-2**

System Veka Softline



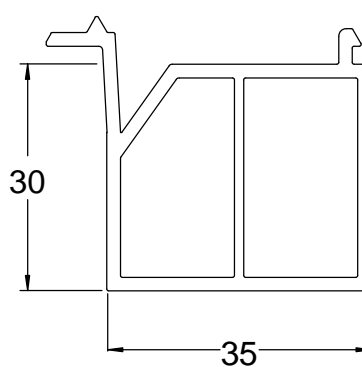
**SB 2530VT-2**

System Veka Topline  
 und Royal Europa



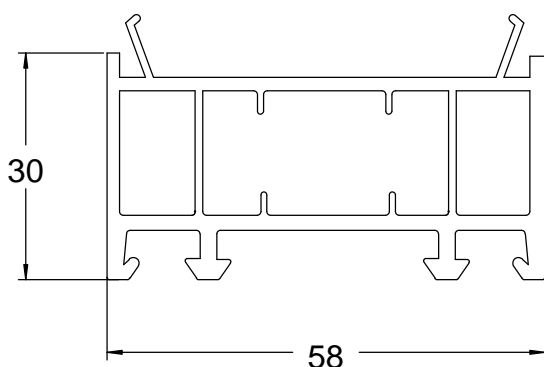
**SB 3530V**

System Veka



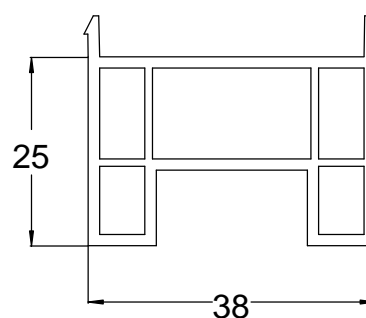
**VB 5830**

Verbreiterung System Veka



**SB 3825P**

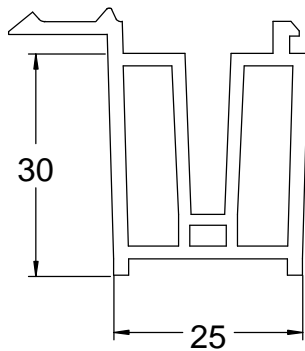
System Plus Tec



# SOHLBANKPROFILE

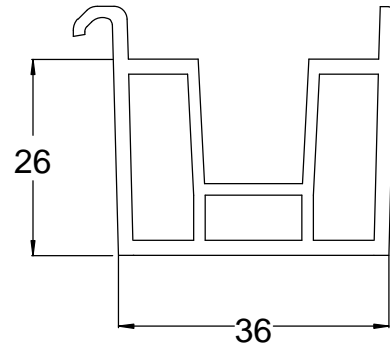
**SB2530R-2**

System Rehau



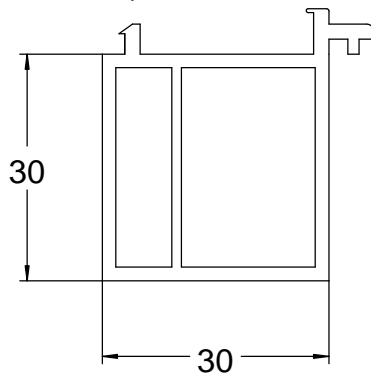
**SB 3629G**

System Gealan



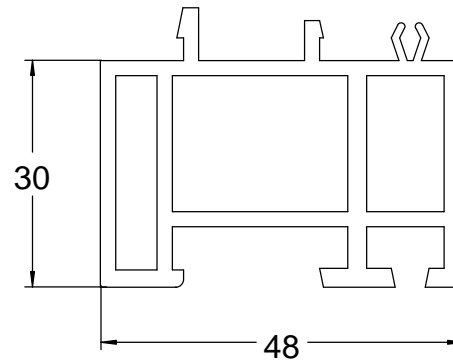
**SB3030S**

System Schüco



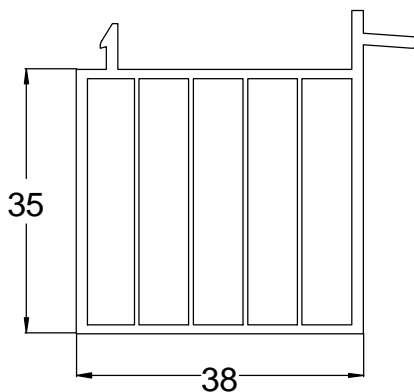
**SB4830S**

System Schüco



**SB 3835K**

System Kömmerling



**SB 3235 ST**

System Schüco

